



GreyFox



Grounded

higher perspectives

Design: Perch.ie



GreyFox

A Concept of Urbanism

As we move toward higher density living and working in urban environments, we lose touch with our naturalistic roots and biophilic requirements. We shut off from people as our bodies and minds acclimatise to the built environment.

As we move further from the fields, our focus at GreyFox is to reconnect you, through the critical heritages of being human, in the 21st century.

In re-imagining how we work, learn and connect our collections provoke joy and surprise!

At GreyFox we observe, listen and answer to the basic needs of a complex society with a focus on human movement.

GreyFox is a research and design led initiative, whose ambition is to develop, produce and distribute high quality, humanised furniture solutions for the 21st Century.

We develop solutions to focus on human movement, user health and wellbeing.



Grounded

higher perspectives

for GreyFox, by Perch

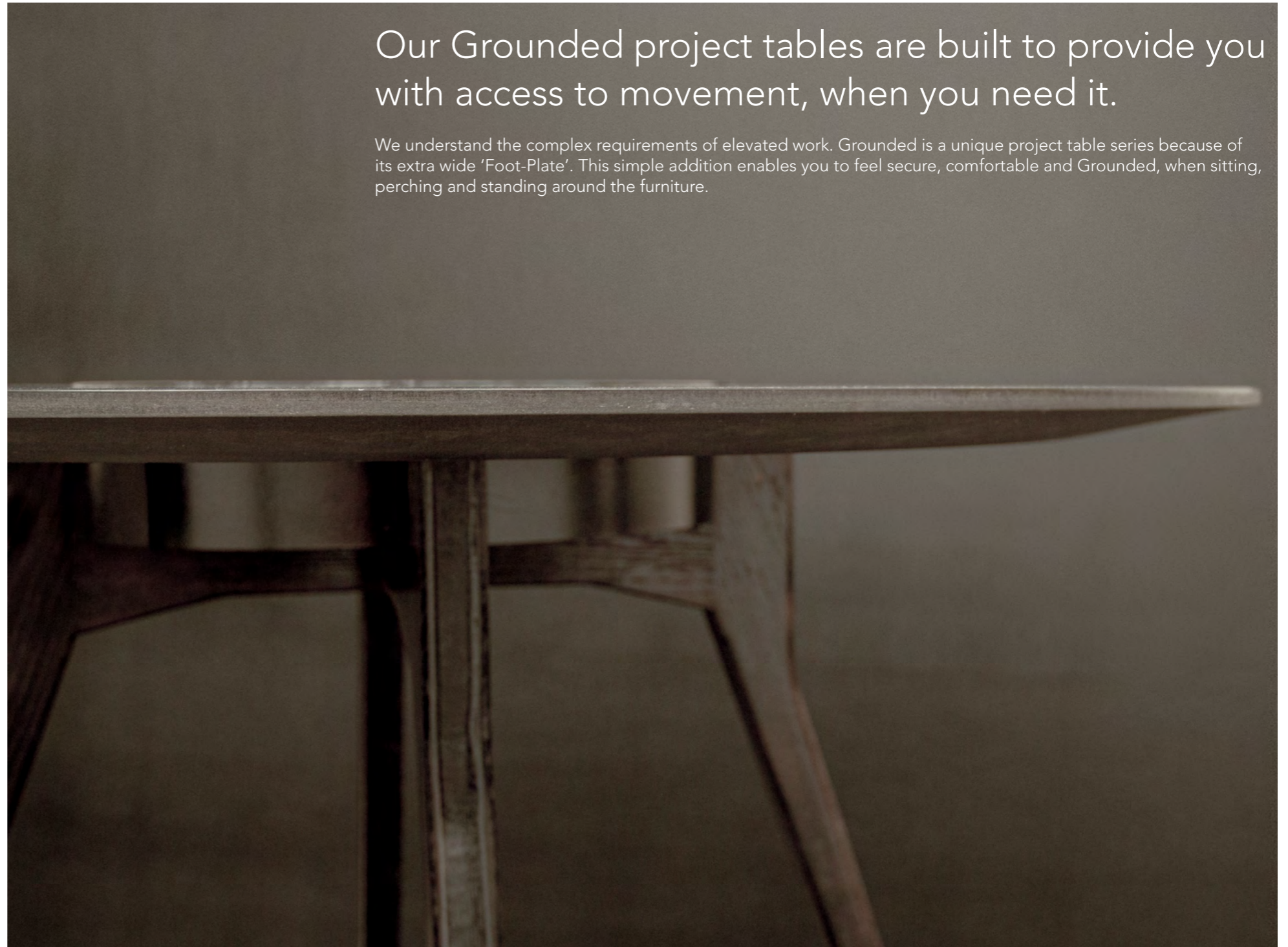
We specialise in research-led design for applied human movement. We conduct quantitative and qualitative research, to find out how people communicate, congregate, work and learn. Our passion is developing new solutions in emergent fields, to improve the quality of life for people.

We consider ergonomics, psychology and aesthetics as equally important and we are hugely excited to be developing new and elegant solutions for GreyFox.



Our Grounded project tables are built to provide you with access to movement, when you need it.

We understand the complex requirements of elevated work. Grounded is a unique project table series because of its extra wide 'Foot-Plate'. This simple addition enables you to feel secure, comfortable and Grounded, when sitting, perching and standing around the furniture.



When we start with a focus, purely on the Human; their psychological, physiological and biophilic needs, we find that the concept, for something new and meaningful, designs itself.

www.perch.ie

Maintain eye-level communication

and improve comprehension, flow and participation within small groups.

Sitting at a low level often hinders your ability to move frequently and with fluidity. In addition, most 'high-sitting' furniture does not provide adequate foot support for comfortable, multi-postural sitting or standing positions.

Our foot-plate

means you will not be searching for that 'grounded' feeling, when sitting higher.

Now you can choose to sit, perch or stand, in comfort and without breaking eye level communication. This increases the frequency of full-body, high-quality movement while using the furniture.



Grounded is a feeling

of being well balanced and secure. Removing the physical barriers to rich interpersonal communication is key to what we do at GreyFox.



A fresh take

The GreyFox collection aims to improve the overall experience and interaction of workers and learners throughout the work day.



Plan

Elegant



RAY work-chairs

with their patented, flexible seat pad complement and enhance 'active' Grounded environments

designed by Perch and Hans Thyge for Labofa

Be expressive

Design your landscape to speak to your culture and brand. Grounded offers a vast range of options and finishes.



Materiality and biophilia
are of equal importance to ergonomics.

Natural



Graceful

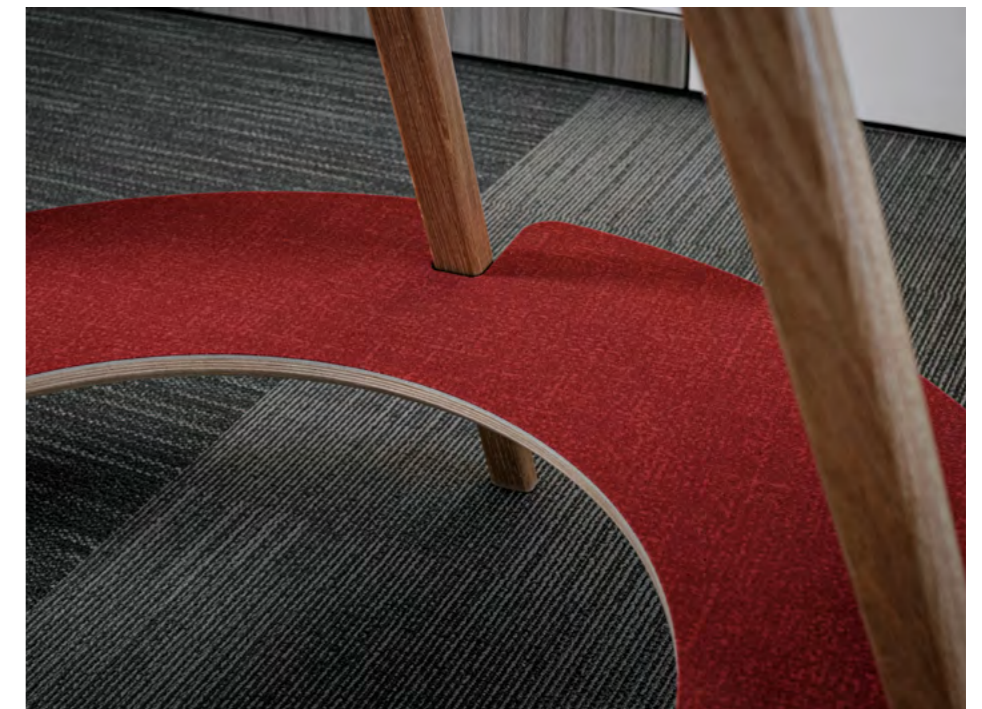


Tactile



Hospitality is that feeling

of freedom, friendliness and generosity of space, when interacting with guests and colleagues.



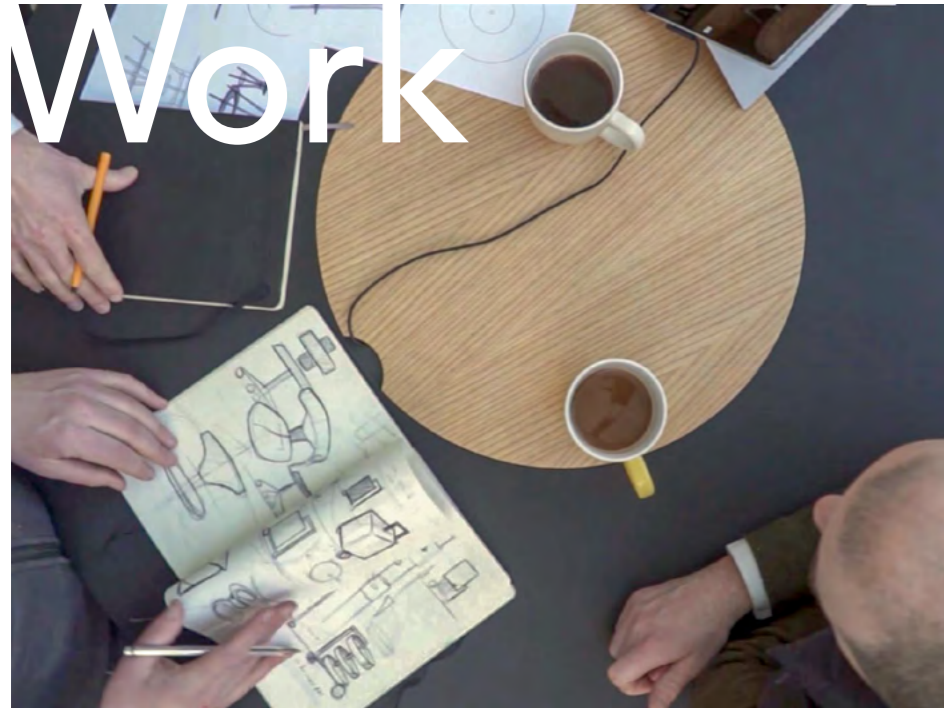
Group Collaborative Projects

Our Grounded series of project tables is perfect for groups of 3-10 people. This system is designed to provide 'Access to Movement', allowing people to sit, perch or stand at the table, without disrupting the meeting, or causing an imbalance to the eye-lines of participants.



Move frequently and freely

Grounded is designed to free users, by enabling key postural possibilities to happen naturally. Enjoy unbroken interaction, while you move.



Power at your fingertips

Today's agile environment requires suitably flexible power solutions. Grounded can accommodate integrated USB and international power and data modules.





Grounded Project Tables description

Standing height project table
 Solid oak jointed frame finished with clear satin lacquer
 25mm birch plywood top with bevelled edge detail finished in either Oak Veneer, Linoleum or Laminate
 PET Felt central storage basket with clear glass, or surface matching infill lid
 Extra wide footplate with Flotex carpet finish

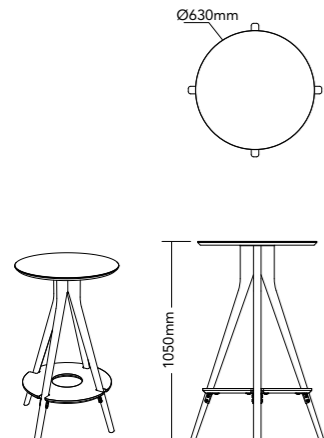
Options include

Longer pill shaped configuration to accommodate larger groups
 Wide selection of surface finish treatment e.g. Fenix, Formica, Veneer, Linoleum
 Power and data modules integrated in central storage basket
 Inductive charging kit
 Cable trunking

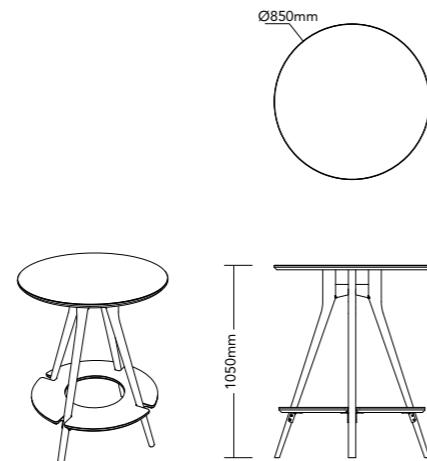
Dimensions

Grounded 6	LxWxH - 630 x 630 x 1050mm
Grounded 9	LxWxH - 850 x 850 x 1050mm
Grounded 12	LxWxH - 1180 x 1180 x 1050mm
Grounded Pill 24	LxWxH - 2220 x 1180 x 1050mm

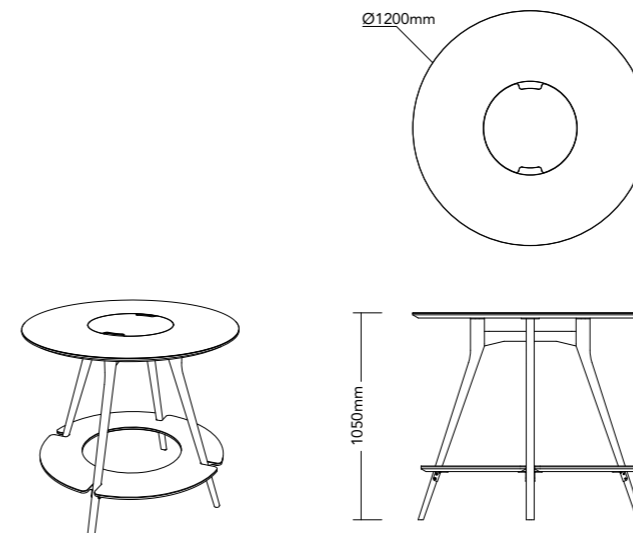
Grounded 6



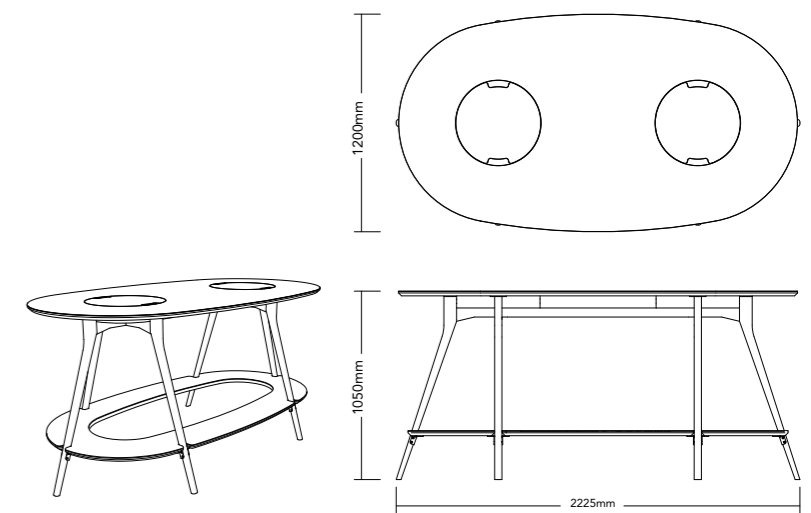
Grounded 9



Grounded 12



Grounded Pill 24





At GreyFox, we are delighted to partner with Aircharge to bring a truly wireless charging experience to our full product range.

SUPERIOR ENGINEERING

Aircharge wireless charging technology is manufactured using state-of-the-art, superior grade components for contract use, providing safe and convenient wireless power to public venues 24/7.

2 YEAR WARRANTY

Aircharge is committed to quality and provides a two-year warranty on all its wireless chargers.

FAST UNIVERSAL CHARGING

Capable of delivering up to 15W, ensuring wireless charging at the fastest possible rate. Aircharge is compatible with over 130 smartphones from 40 different manufacturers.

TECHNOLOGY MEETS DESIGN

Aircharge is available in a range of bespoke textures and materials providing a seamless surface or subsurface integration into any desk or tabletop for a premium finish and enhanced experience.

UNIQUE SOLUTIONS

Aircharge is a pioneer in bringing unique wireless charging solutions to meet all requirements related to public space deployment.

HIGHEST-LEVEL CERTIFICATIONS

All Aircharge solutions have passed rigorous, independent laboratory tests for safety, interoperability and energy efficiency to provide the best and most reliable wireless charging experience. Aircharge is also the world's only railway compliant wireless charging solution.



- WATER PROOF
- DUST PROOF
- TESTED WITH CLEANING AGENTS
- HEAT MONITORING
- FOREIGN OBJECT DETECTION
- BACKWARD COMPATIBILITY
- SYSTEM DIAGNOSTIC
- INTERNET SECURITY
- ROBUST HOUSING
- EASY INSTALLATION

Better workplaces in a better world

At GreyFox the principles of longevity, purpose and sustainability guide everything we do; we've built our processes around them. Our furniture is designed to promote the health of its users, whilst sustaining the health of our planet.

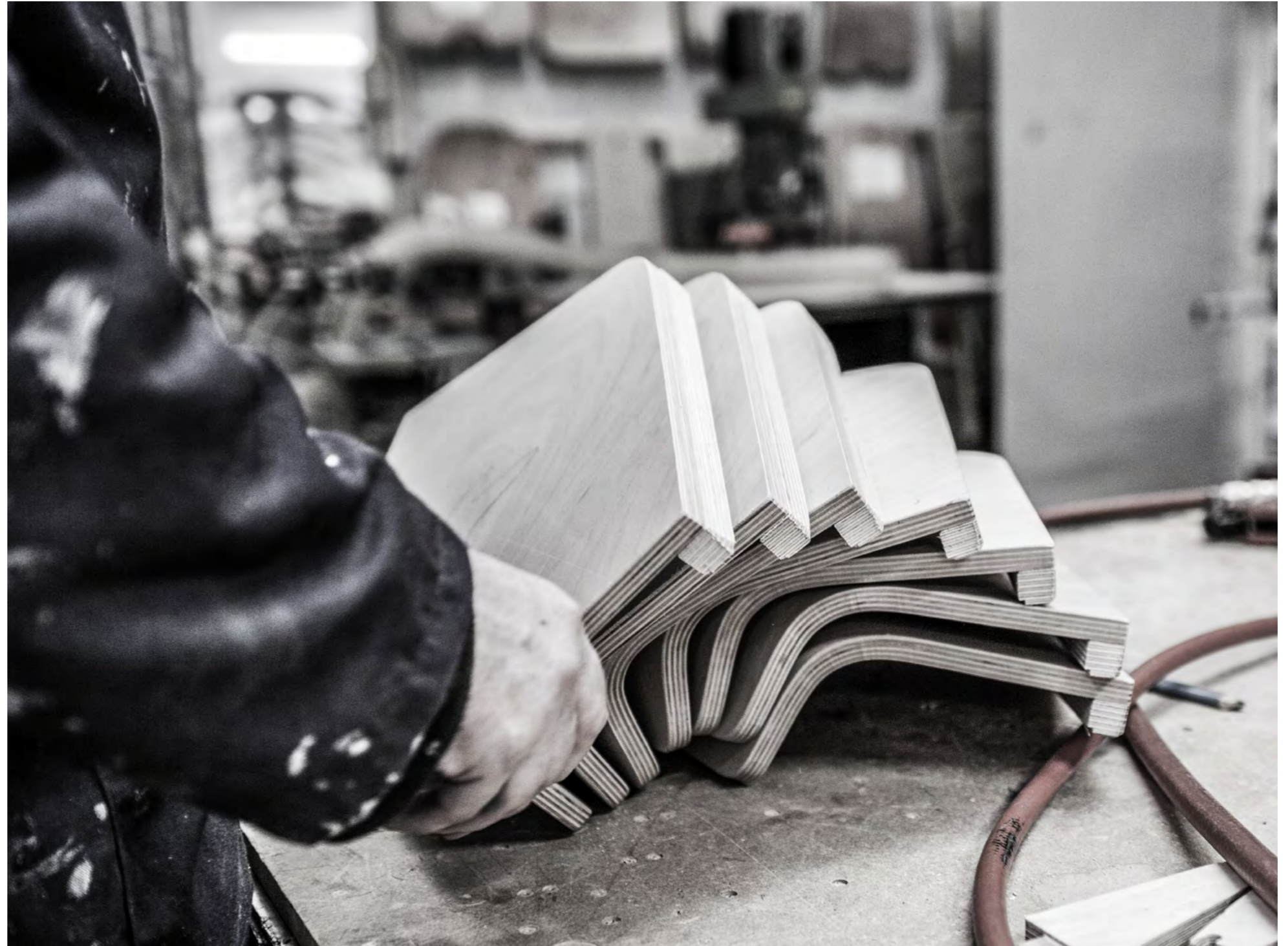
Our clients buy less because our products do more. They stand the test of time and the demands of their users.

Our furniture is designed to be easily maintained, renewed and serviced. We keep our products out of landfill, we take them back at end of life and ensure they are repurposed. We manufacture our products locally. We stand over and ensure the sustainability of all stages of our product development.

Our conscience guides the selection of our materials and suppliers. We want to produce furniture made of sustainably forested woods, natural fabrics and water based finishes.

At GreyFox, our commitment to sustainability is resolute. Our environmental conscience guides what we do and will adapt and evolve with us. We design and manufacture for better workplaces in a better world.





With love, care and attention,
in Ireland



GreyFox

A Concept of Urbanism

Casement House,
Clonlara Road,
Baldonnell Business Park,
Dublin 22,
D22Y5H2,
Ireland